

GO

RI

BI



1 3
5 6

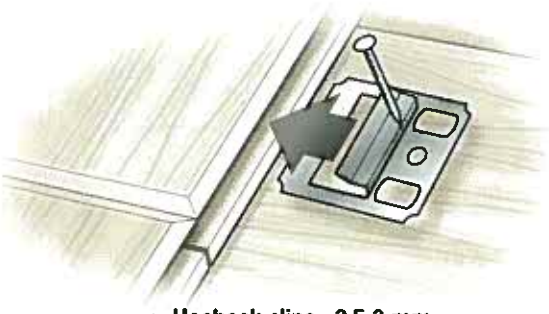
4

7 8



SCHROTEN • VLOERPLANKEN • DEUREN • LIJSTEN
HOEBEEK
LAMBRIS • PLANCHERS • PORTES • MOULURES

BRICOLUX®



▲ Hoebeek-clips - 2,5-3 mm
For perfect, invisible fastening.

Bricolux® cladding - creative and colourful to say the least, high quality at its best ! In solid Redwood or Whitewood. Quick and easy to fit with tongue and groove on all four sides.

Bricolux® is economical to use and ecologically sound (very little waste !), provides heat and noise insulation and gives a personal, creative touch to your interior.

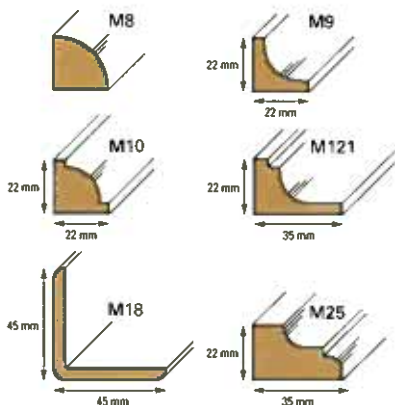
Bricolux® lacquered is available in the following lengths: 0,85 - 1,15 - 1,45 - 1,75 - 2,05 m. All other Bricolux® colored items in this folder are available in the length of 1,45 m only.

Use Hoebeek-clips (2,5-3 mm) for perfect, invisible fastening and Hoebeek finishing strips for the special 'finishing touch'.



- 1 Bricolux®
Scandinavian Redwood
Brushed & Wax White
- 2 Bricolux®
Scandinavian Redwood
Acajou Lacquered
- 3 Bricolux®
Scandinavian Whitewood
Lacquered
- 4 Bricolux®
Scandinavian Whitewood
Lacquered

- 7 Bricolux®
Scandinavian Redwood
Brushed & Wax White
- 8 Bricolux®
Scandinavian Redwood
Brushed & Wax Yellow
- 9 Bricolux®
Scandinavian Redwood
Brushed & Wax Yellow
- 10 Bricolux®
Scandinavian Redwood
White Lacquered



- 5 Bricolux®
Scandinavian Redwood
Acajou Lacquered
- 6 Bricolux®
Scandinavian Redwood
Brushed & Wax Grey

- 11 Bricolux®
Scandinavian Redwood
Cherry Lacquered
- 12 Bricolux®
Scandinavian Redwood
Brushed & Wax Grey

www.hoebeek.be



PANNELLING • FLOORING • DOORS • MOULDINGS
HOEBEEK
TÄFELUNG • FUßBÖDEN • TÜREN • LEISTEN

▲ Finishing strips for the 'finishing touch'.

*Solid wood is a natural product, so the colours shown here may vary somewhat.
All information is correct at time of going to press.*